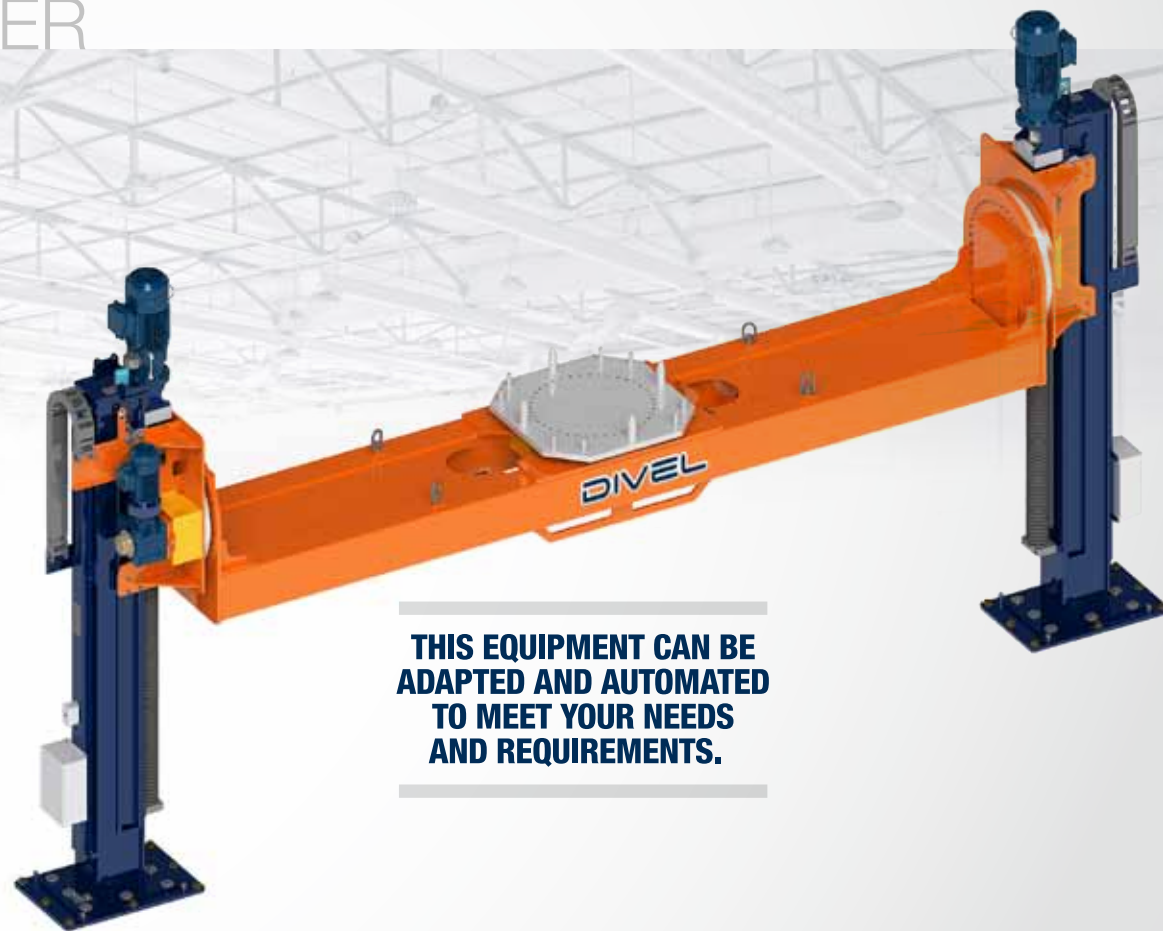


TypeC THREE-AXIS BRIDGE POSITIONER

Our type C / double columns 3-axis bridge positioner enables to move parts upon in space.

The centered mounting plate sits on a 360° rotating bridge which is made possible by a slip ring installed on each column. The vertical movement is provided by screw attached in line to efficient, reliable and maintenance-free gear motor. The screws of each column is electronically synchronized which enable a precise and constant control on either side of the bridge. The centered mounting plate is installed on a slewing ring bearing that has a 360° rotation of the same type of those of the two columns which allows the bridge to rotate. The rotating axis can be simultaneously indexed with the up and down movement.



THIS EQUIPMENT CAN BE ADAPTED AND AUTOMATED TO MEET YOUR NEEDS AND REQUIREMENTS.

divel.ca | 819.228.0101

DIVEL

Simple Solutions To Complex Problems